

FAUCET DESCRIPTION

- Glass and metal construction with chrome finish
- 1/2" IPS connections
- Includes metal pop-up plug waste assembly

OPERATION

- Knob style handles
- Maximum handle rotation angle is 90° to full on for either angle
- Hot side counterclockwise to open (clockwise to close)
- Cold side clockwise to open (counterclockwise to close)

FLOW

- Aerator is limited to 2.2 gpm max (8.3 L/min)

CARTRIDGE

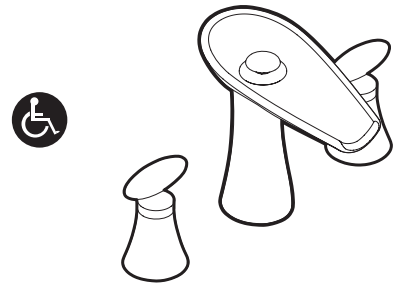
- 1224 cartridge design
- Nonmetallic and stainless steel material

STANDARDS

- Third party certified to CSA B125, ASME A112.18.1M, ANSI A117.1 and all applicable requirements referenced therein
- Certified to ANSI/NSF 61/9
- Complies with California Proposition 65 and with the Federal Safe Water Drinking Act

WARRANTY

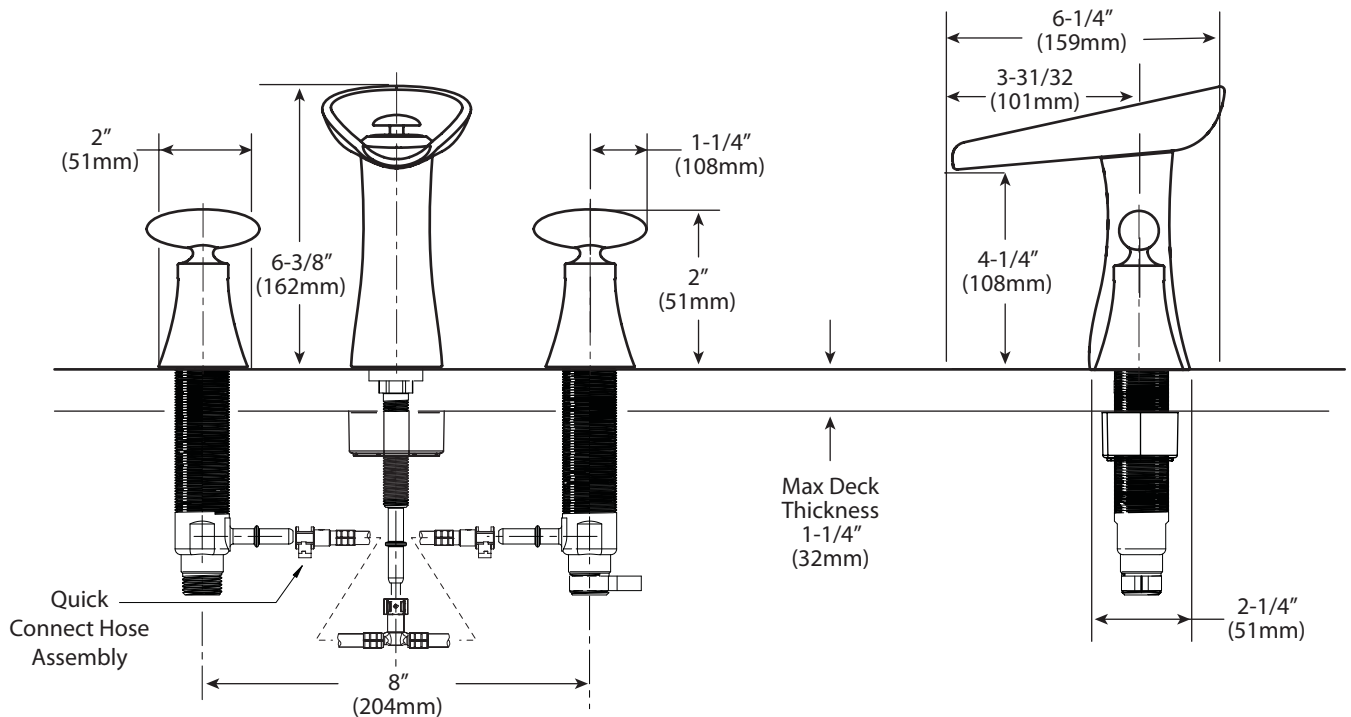
- Lifetime limited warranty against leaks, drips and finish defects to the original consumer purchaser
- 5 year limited warranty if used in commercial installations



Two Handle Widespread Lavatory Faucet

Model: S888

NOTE: This faucet is designed to be installed thru 3 holes, 1" min. dia.



CRITICAL DIMENSIONS

(DO NOT SCALE)