

DESCRIPTION

- Metal construction with various finishes identified by suffix
- 1/2" IPS connections will accept standard ball nose connection for 3/8" tubing
- Includes optional hot and cold temperature indicators
- Includes metal pop-up waste assembly
- Designed to be installed through 3, 1" min. dia. holes

OPERATION

- Lever style handles
- Maximum handle rotation angle is 90° to full on for either handle
- Rotate hot side handle counterclockwise to open and clockwise to close
- Rotate cold side handle clockwise to open and counterclockwise to close

FLOW

- Flow is limited to 1.5 gpm max (5.7 L/min) at 60 psi, for products made before October 2008 flow is limited to 2.2 gpm max. (8.3 L/min)

CARTRIDGE

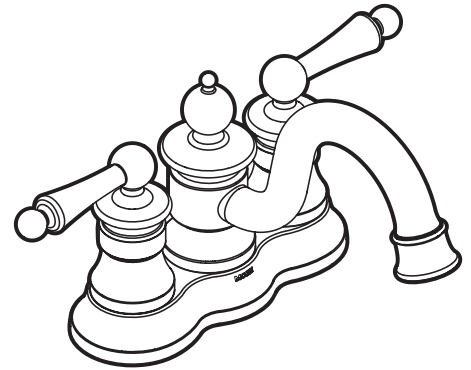
- 1224 cartridge design
- Nonmetallic/nonferrous and stainless steel materials

STANDARDS

- Third party certified to WaterSense®, CSA B125, ASME A112.18.1M, ANSI A117.1 and all applicable requirements referenced therein
- Certified to ANSI/NSF 61/9
- Complies with California Proposition 65 and with the Federal Safe Drinking Water Act
- ADA ♿ for lever handles

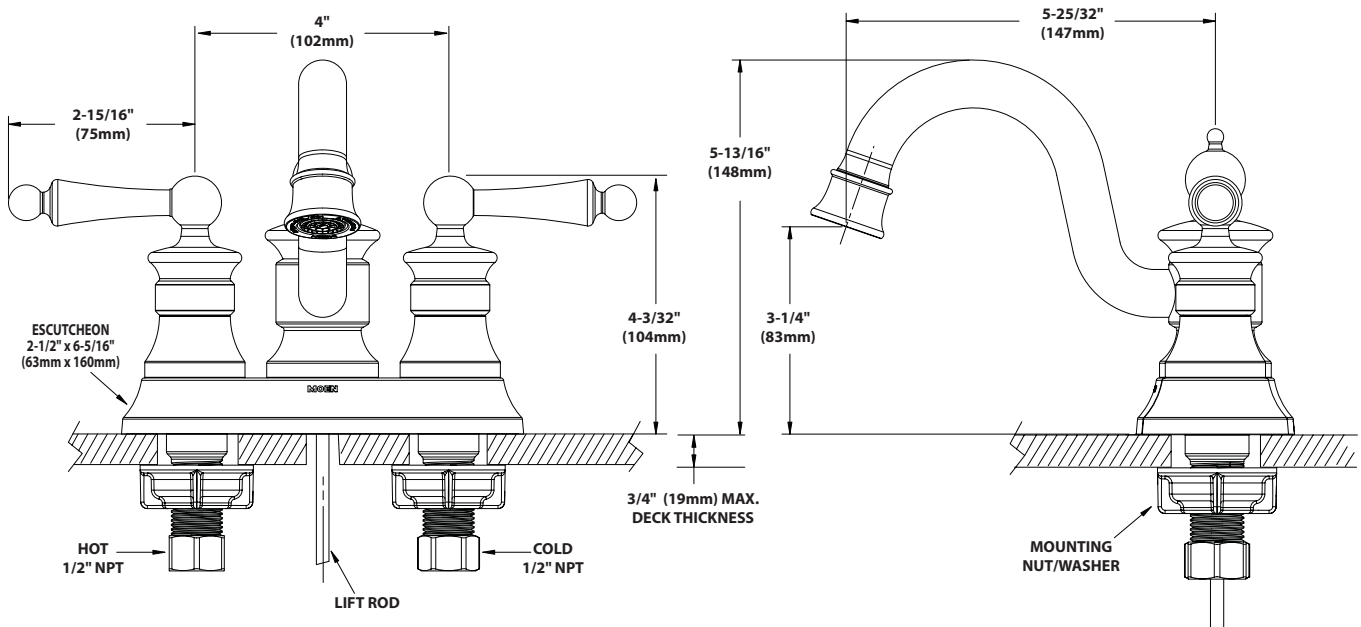
WARRANTY

- Lifetime limited warranty against leaks, drips and finish defects to the original consumer purchaser
- 5 year warranty if used in commercial installations



**Waterhill™
Two-Handle Lavatory Faucet**

Models: S412 series



CRITICAL DIMENSIONS

(DO NOT SCALE)