

*There is more than 1 version of this model.
Page down to identify the version you have.*

DESCRIPTION

- Metal construction with various finishes identified by suffix
- Flexible supplies with 3/8" compression fittings
- Includes metal pop-up waste assembly
- Includes optional 3 hole deck plate (escutcheon)
- Designed to be installed through 1, 1-1/8" min. dia. hole

OPERATION

- Pivot action lever style handle
- Features a pivoting spout with self-centering feature
- Temperature controlled through 100° arc of handle travel

FLOW

- Flow is limited to 1.5 gpm max (5.7 L/min) at 60 psi

CARTRIDGE

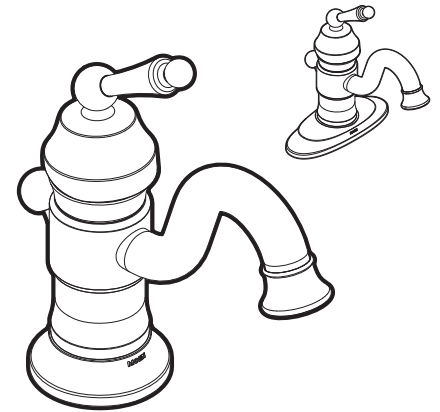
- 1255™ Duralast™ cartridge

STANDARDS

- Third party certified to WaterSense®, CSA B125.1, ASME A112.18.1 and all applicable requirements referenced therein including NSF61/9
- Complies with California Proposition 65 and with the Federal Safe Drinking Water Act
- ADA ♿ for lever handle

WARRANTY

- Lifetime limited warranty against leaks, drips and finish defects to the original consumer purchaser
- 5 year warranty if used in commercial installations

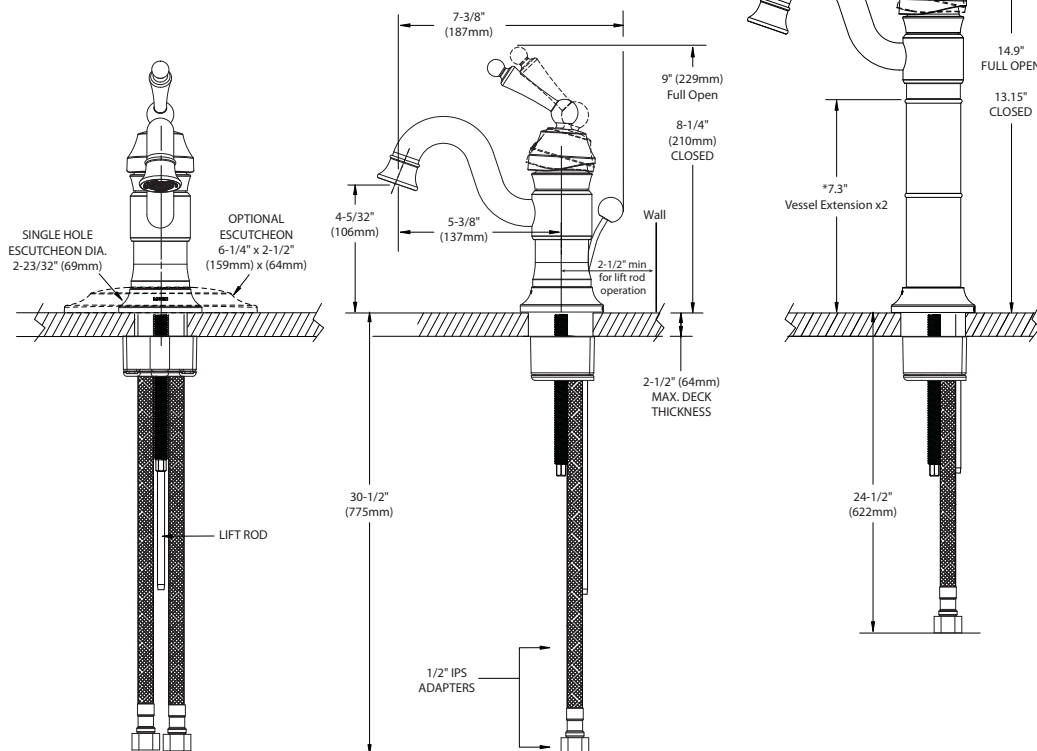


Waterhill™ Single-Handle Lavatory Faucet Models: S411 series

* Use S115 Extension Kit for Vessel Sink Applications



Certified by IAPMO R&T



CRITICAL DIMENSIONS

(DO NOT SCALE)

