

DESCRIPTION

- Metal construction with chrome plated or LifeShine® brushed nickel finish
- Designed to be installed through 3, 1-1/8" min. dia. holes
- For installations from 8" (203mm) to 10" (254mm) centers
- Designed to be installed on decks up to 2-1/8" (54mm)
- The spout is a slip fit design and the supplies are 1/2" type K, copper tubing
- Includes hot and cold indicators

OPERATION

- Lever style handles
- Maximum handle rotation angle is 90° to full on for either handle
- Rotate hot side handle counterclockwise to open and clockwise to close
- Rotate cold side handle clockwise to open and counterclockwise to close

FLOW

- Designed to deliver 18gpm @ 40 psi

CARTRIDGE

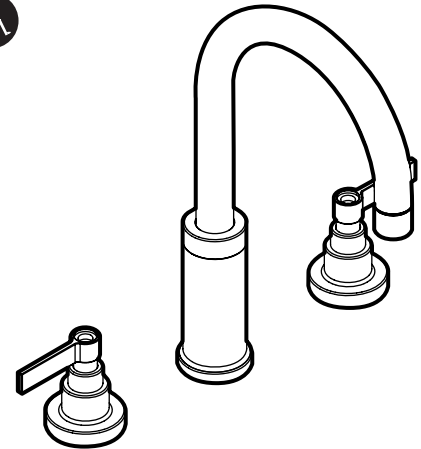
- 1248 cartridge design with nonmetallic/nonferrous and stainless steel materials

STANDARDS

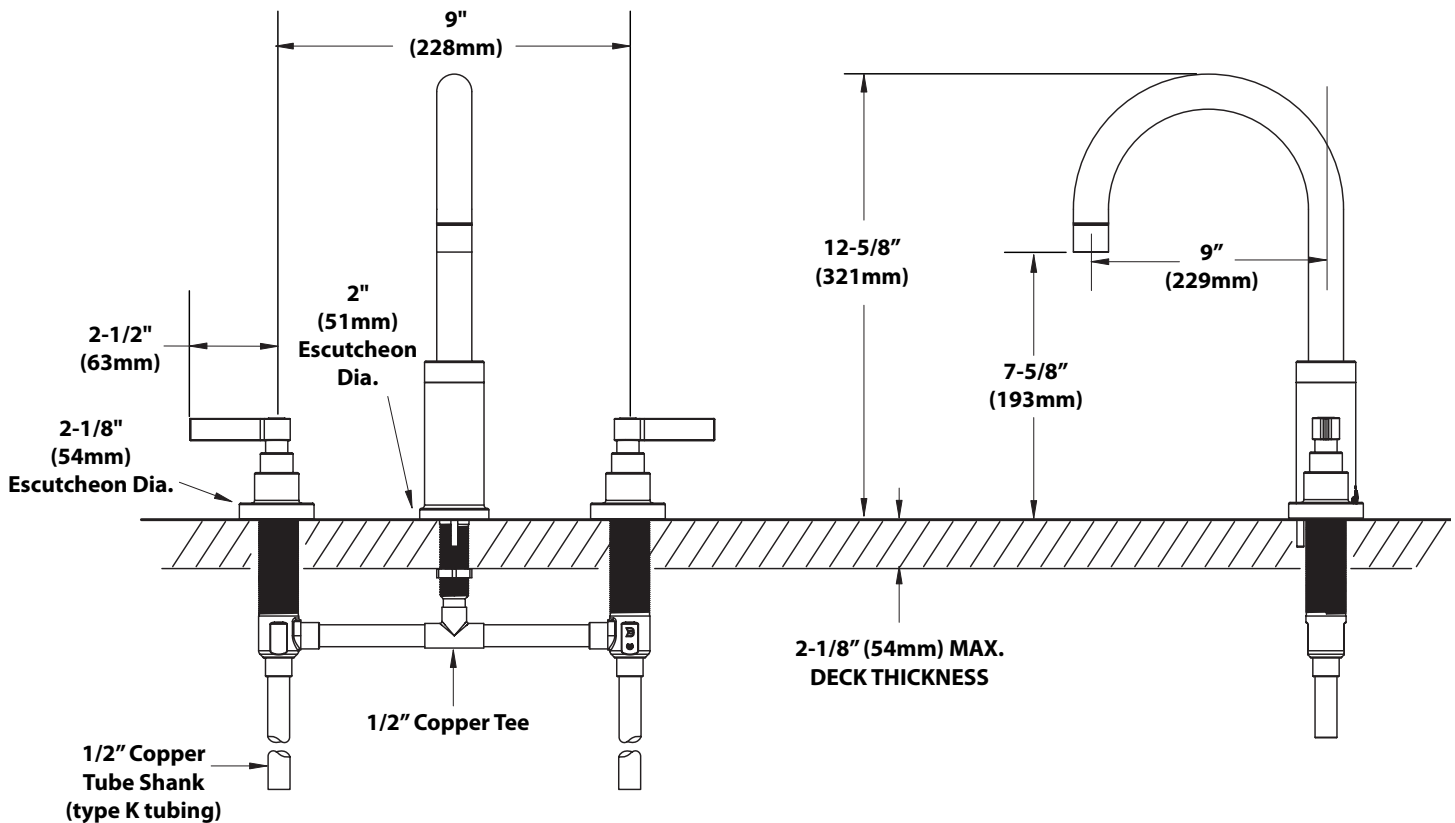
- Third party certified to CSA B125, ASME A112.18.1M, ANSI A117.1 and all applicable requirements referenced therein

WARRANTY

- Lifetime limited warranty against leaks, drips and finish defects to the original consumer purchaser
- 5 year warranty if used in commercial installations



Solace™
Two-Handle Widespread
Roman Tub Faucet
Models: S274, S274BN



CRITICAL DIMENSIONS

(DO NOT SCALE)